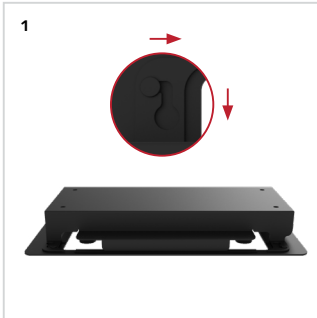
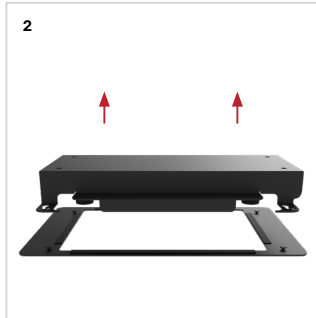




Please run necessary power cables required through the wall or mullion before starting.



**1**  
Remove the backplate from the case by sliding the backplate along the hook latch to release.



**2**  
Lift the backplate up to separate from the faceplate.



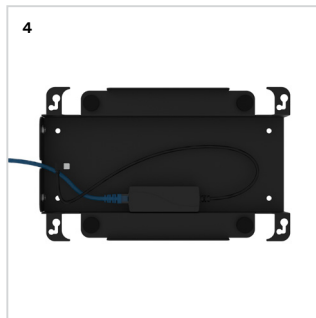
### 3 - Option a - Side Mounting

Side mount - Screw the backplate to the mounting surface using the side screw holes. Make sure you leave room for the faceplate to attach.



### 3 - Option b - Rear Mounting

Rear mount - Screw the backplate to the mounting surface using the rear screw holes. Make sure you leave room for the faceplate to attach.



**4**  
Route cables out the side and store optional POE adapter or power bank in the allocated space behind the faceplate.



**5**  
Place supported tablet on backplate. Firmly hold tablet by pressing it into the enclosure as you slide the faceplate onto the hook latch.