

# Elite Evo Tablet Stand

The Elite tablet stand offers high security and durability in a sleek and stylish casing. Featuring a 4 point lock and a strong coated metal faceplate to protect your iPad or android tablet.



# Contents

4 Point Lock.....	3
Cable Management.....	4
Pole Options.....	5
Movement.....	6
Base Options.....	7
Wall Mountable.....	8
Case Accessories .....	9
Recommended Positioning .....	10
Custom Branding Solutions.....	11
Supported Tablets .....	12
Specifications .....	13

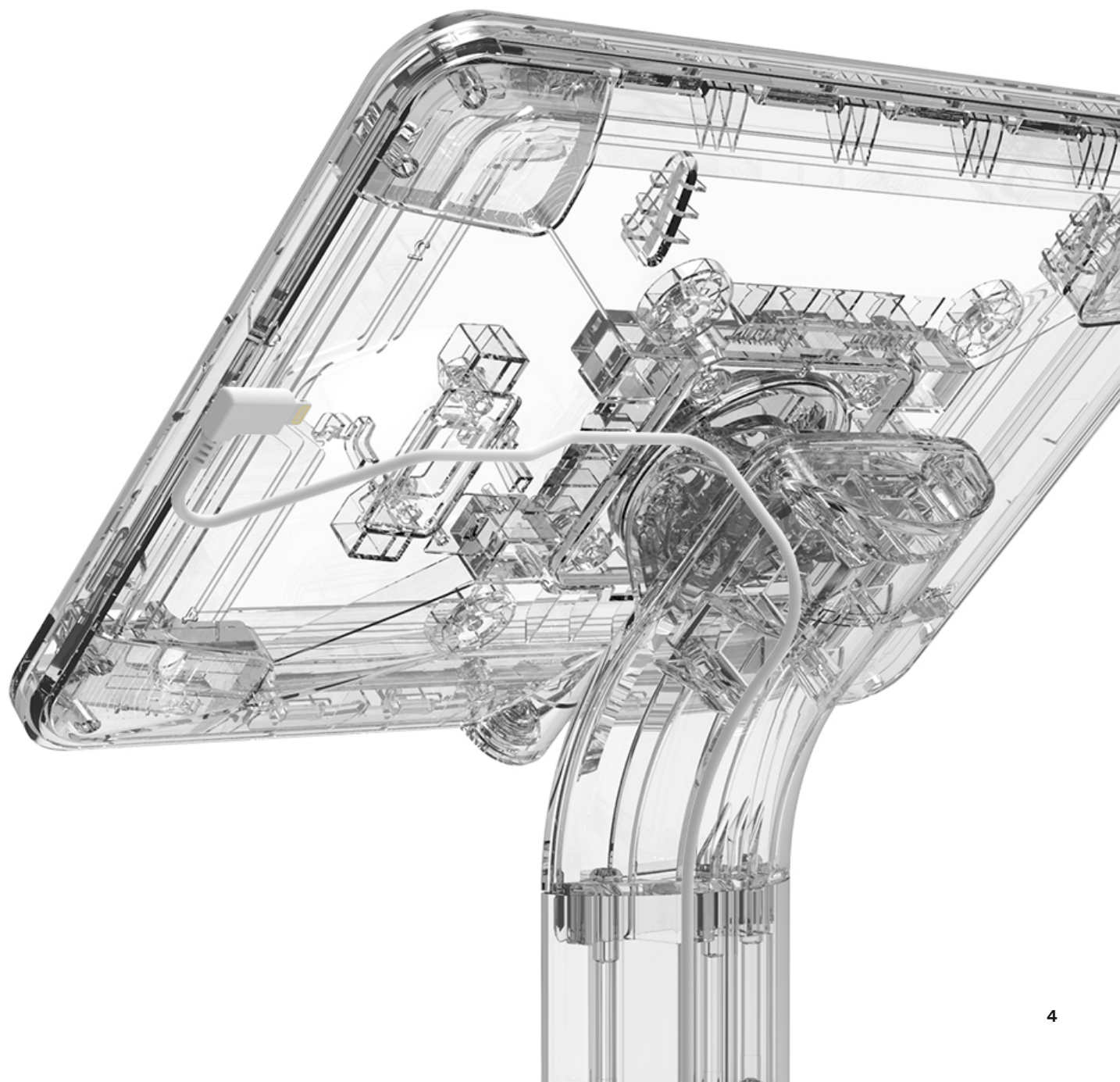


## 4 Point Lock

The Elite tablet enclosure features a lockable faceplate that secures with a barrel key and four-point lock for ultimate security. As an additional security option, unique key and barrel sets are also available. The Elite tablet stand is ideal for high-traffic areas or any commercial or educational environment where additional layers of security may be required for your device.

# Cable Management

Keep your tablet charged with internal cable management in the fully enclosed case. The Elite Evo tablet stand features two cable management options including the ability to discreetly run your cable from the device through the Elite case and Evo pole, or alternatively, run the cable directly through the included cut out in the case's rear.



# Pole Options



**Evo Pole**

Fixed 45\* angle



**Evo X Pole**

Tilt and Rotation movement



40° Tilt



90° Rotation

## Evo X Movement

Evo X Pole Only

The Evo X pole rotates between portrait and landscape and also features a 40-degree tilt for a functional and ergonomic design. This stand also features a position lock on both tilt and rotate movements for a fixed option.

# Mounting Options



**Screw Mount**



**Freestanding**



# Wall Mountable

**Screw Mount base only**

The Evo Screw Mount base is also wall mountable.

With cable management options to run through the wall or alternatively out the base to feed down the wall.



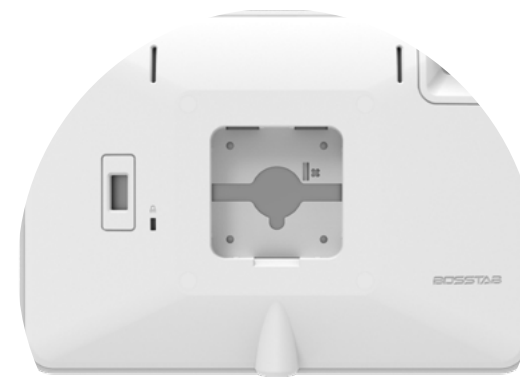
# Case Accessories



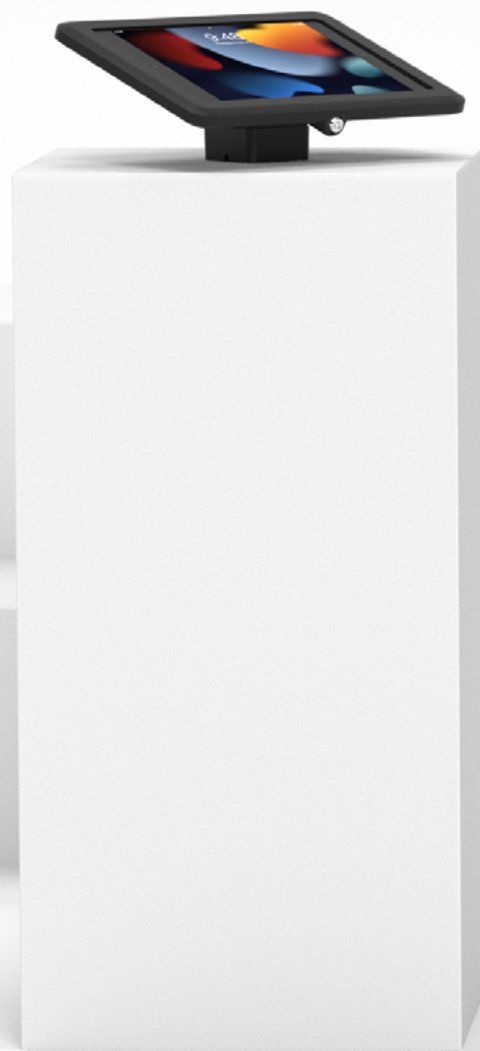
**Cable Cut Out**



**Cable Lock Port**



**Camera Cut Out**



## Recommended counter height for the Elite Evo

29.53" - 43.31" (75 - 110 cm)

# Custom Branding Solutions

Add your logo on the Elite Evo with a silk-screen finish on our powder coated molded metal bases or on the front facing display.



# Supported Tablets



iPad 10.9" 10th Generation

iPad 10.2" 7th, 8th & 9th Generation

iPad Pro 11"

iPad Pro 13"

iPad Pro 12.9" 3rd, 4th, 5th & 6th Generation

iPad Pro 11" 1st, 2nd & 3rd Generation

iPad Pro 9.7"

Pad Air 11"

iPad Air 13"

iPad Air 10.9" 4th & 5th Generation

iPad Air 9.7" 2nd Generation

## **SAMSUNG**

Galaxy Tab A7 10.4"

Galaxy Tab A8 10.5"

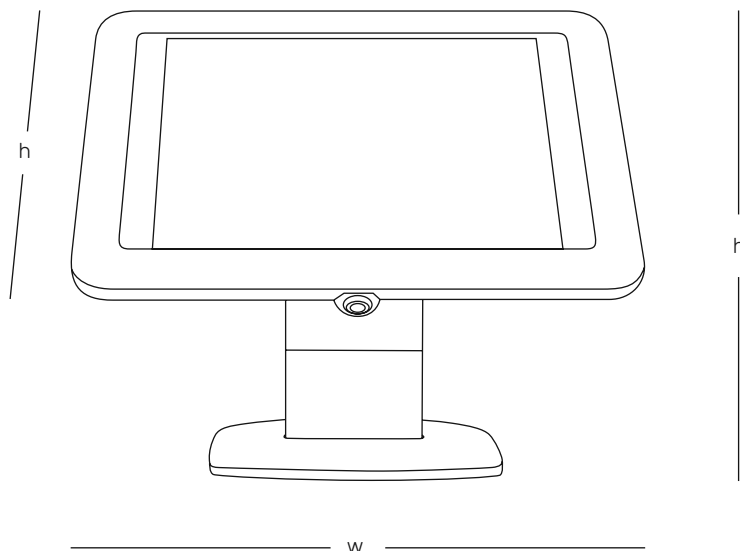
Galaxy Tab S7, S8 & S9 11"

Galaxy Tab S7+, S8+ & S9+ 12.4"



Surface Pro 13" 8th & 9th Generation

# Specifications



**Elite Holder**

**w** - 11.69" (297mm)

**h (case)** - 8.27" (210mm)

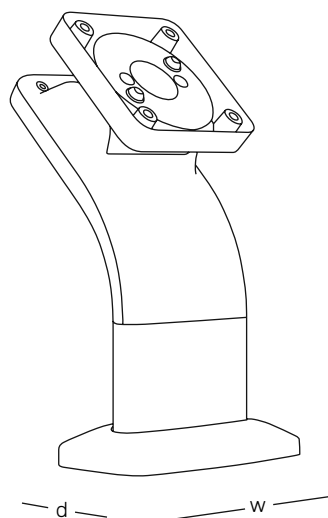
**h (total)** - 11.42" (290mm)

**Large Elite Holder**

**w** - 12.99" (330mm)

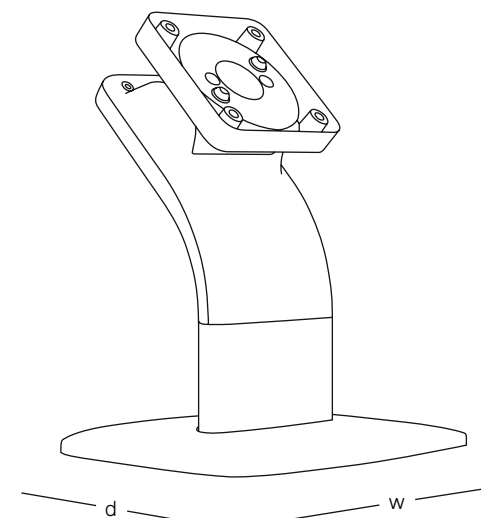
**h (case)** - 10.24" (260mm)

**h (total)** - 11.93" (303mm)



**w** - 4.25" (108mm)

**d** - 2.95" (75mm)



**w** - 6.30" (160mm)

**d** - 5.83" (148mm)