

# Touch Nexus Wall Mount

The Touch Nexus Wall Mount has been thoughtfully designed to securely display your tablet without requiring a case, clamps or cables. Simply showcase your tablet as it is was designed - slim, sleek and unobstructed. Available in different mounting options, the Touch is perfect for desktop use.



# Contents

Universal Tablet Stand .....	3
Cable Management.....	4
Mounting Options.....	5
Desktop & Wall Mountable.....	6
Recommended Positioning .....	7
Custom Branding Solutions.....	8
Specifications .....	9

# Designed for all tablets

Might update your iPad or android tablet in the future? The Touch tablet holder supports all devices and is secured by 4 strong 3M Command Strip adhesives included with the stand.



SAMSUNG



Lenovo



amazon

ASUS

# Cable Management

Easily charge your device with internal cable routing through the Touch bracket and down the stand. Featuring a minimalist design with no external casing, your iPad or Android device is secured in place using strong 3M adhesives and an additional hex screw lock for added security.



# Mounting Options



**Freestanding**

Included



**Screw Mount**

Included



**Adhesive Mount**

Included



**Heavy Duty  
Freestanding Base**

Sold Separately



## Desktop Mount

Screw Mount, Adhesive & Freestanding options.



## Wall Mount

Screw Mount only.



## **Recommended height for the Touch Nexus Wall Mount**

29.53" - 35.43" (75 - 90 cm)

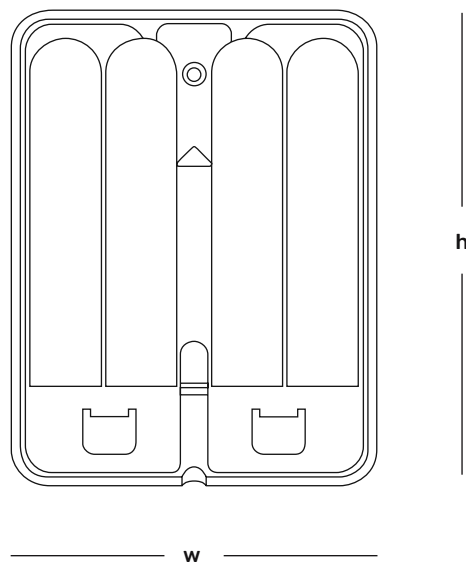
# Custom Branding Solutions

Add your logo on the Touch Nexus with a silk-screen finish on our powder coated molded metal bases or adhesive tab branding on the front facing display.



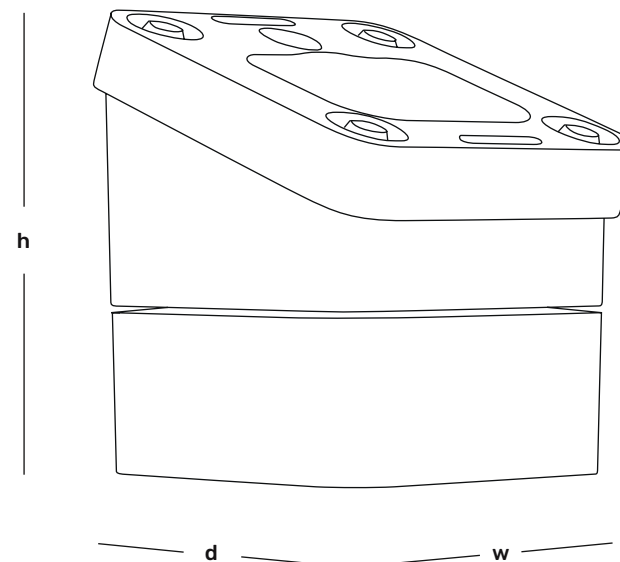


# Specifications



**w** - 3.82" (97mm)

**h** - 5" (127mm)



**w** - 2.83" (72mm)

**d** - 2.83" (72mm)

**h** - 3.19" (81mm)