

# Edge Nexus Wall Mount

The Edge iPad Wall Stand features a unique clamp based design that includes a simple security lock release option. The Edge iPad Wall Stand is perfect for POS to kiosk self-service applications. Designed for the 10.2" iPad.



# Contents

Secure .....	3
Cable Management.....	4
Desktop & Wall Mountable.....	5
Mounting Options .....	6
Recommended Positioning .....	7
Custom Branding Solutions.....	8
Supported Tablets .....	9
Specifications .....	10

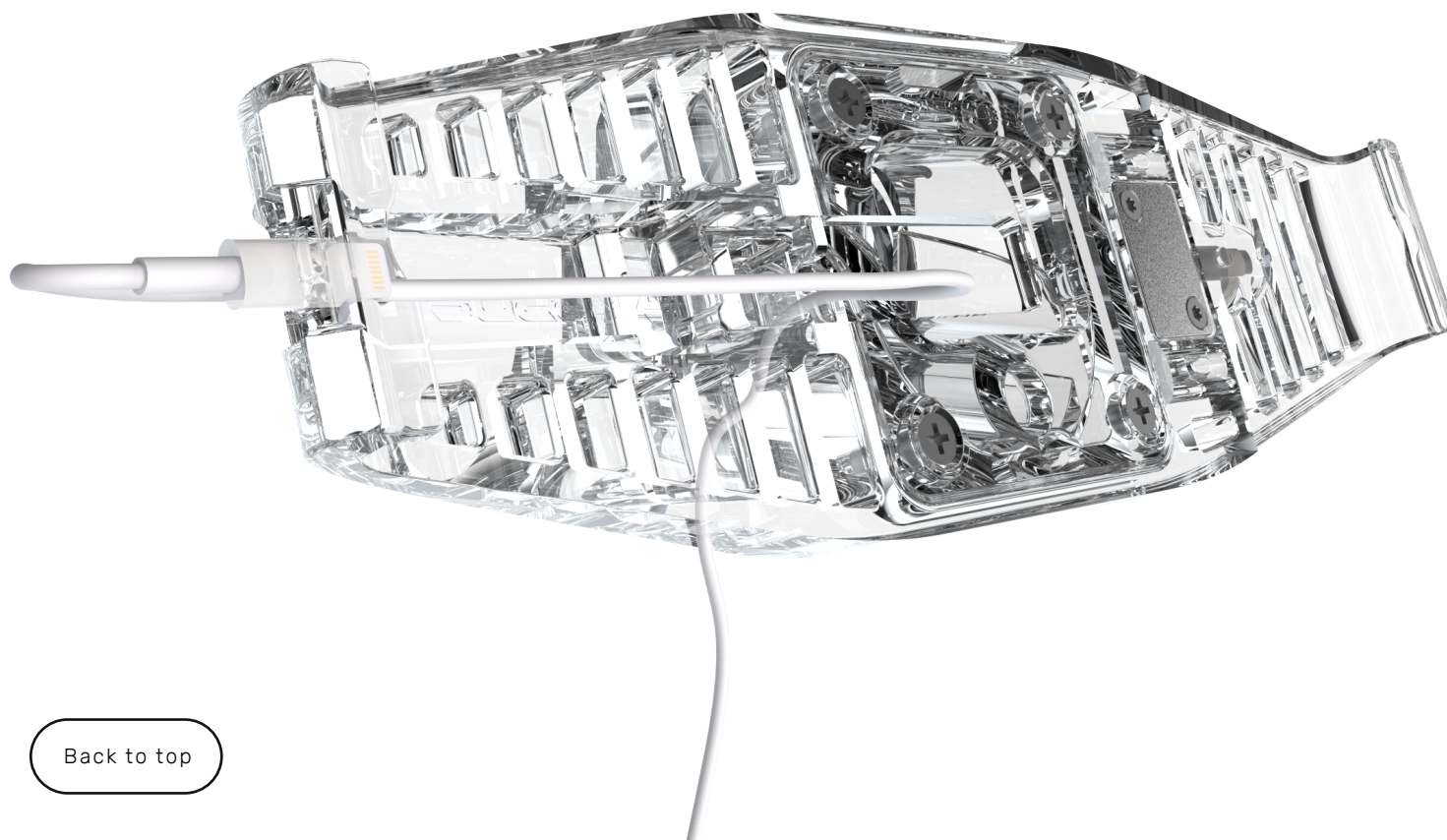
## Secure

The Edge case is constructed from high grade metal and powder coated for durability. The iPad is secured in place with a unique clamp design with neoprene cushioned support. Remove your iPad from the Edge stand with a simple release option located on the rear bracket.



# Cable Management

The Edge Nexus iPad wall mount ensures your device remains charged and ready for use without the need for a bulky case. The slim clamp design includes cable management that allows you to run the cable through the stand and out at the base.





## Desktop Mount

Screw Mount, Adhesive & Freestanding options.



## Wall Mount

Screw Mount only.

# Mounting Options



**Freestanding**

Included



**Screw Mount**

Included



**Adhesive Mount**

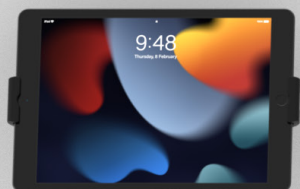
Included



**Heavy Duty  
Freestanding Base**

Sold Separately

Back to top



## **Recommended height for the Edge Nexus Wall Mount**

29.53" - 35.43" (75 - 90 cm)

# Custom Branding Solutions

Add your logo on the Edge Nexus with a silk-screen finish on our powder coated molded metal bases or adhesive tab branding on the front facing display.





# Supported Tablets

The Edge case currently supports the following tablet models.

## Supported Tablets:

iPad 10.2 7th Generation

iPad 10.2 8th Generation

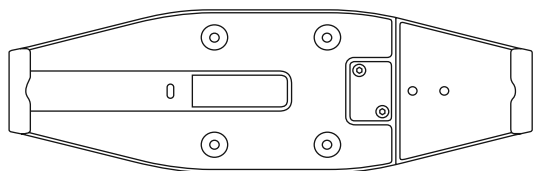
iPad 10.2 9th Generation



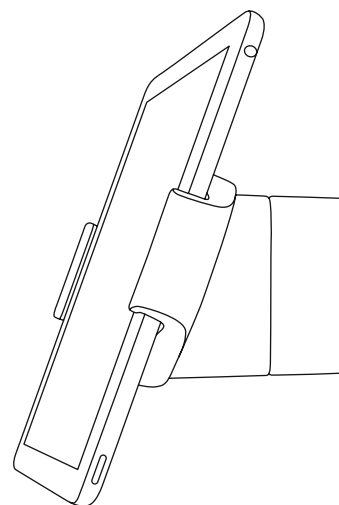
IPAD 10.2 (7TH, 8TH & 9TH GEN)

Can't find your tablet model above? Contact us to find a solution for you.

# Specifications



\_\_\_\_\_ **w** \_\_\_\_\_



\_\_\_\_\_ **d** \_\_\_\_\_

\_\_\_\_\_ **h** \_\_\_\_\_

w: 10.35" (263mm)

d: 4.33" (110mm)

h: 6.69" (170mm)