

Edge Evo Wall Mount

The Edge iPad stand range features a unique clamp based design that includes a simple security lock release option. Designed for the 10.2" iPad.



Contents

Secure	3
Cable Management.....	4
Hinge Options.....	5
Movement.....	6
Additional Mounting Options.....	7
Recommended Positioning	8
Custom Branding Solutions.....	9
Supported Tablets	10
Specifications	11

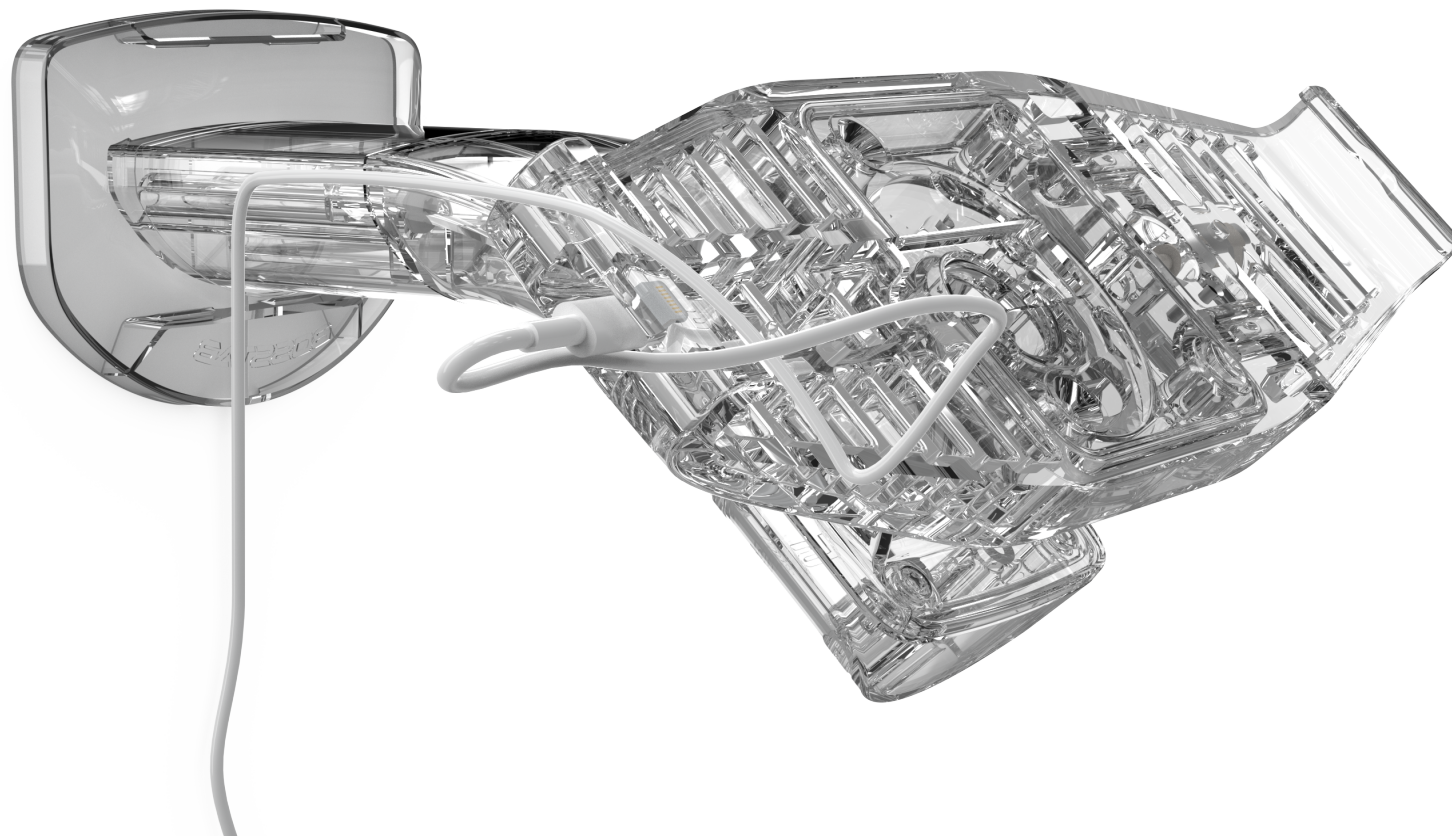


Secure

The Edge case is constructed from high grade metal and powder coated for durability. The iPad is secured in place with a unique clamp design with neoprene cushioned support. Remove your iPad from the Edge stand with a simple release option located on the rear bracket. Simply unlock the latch using the supplied security key to release the clamp and then remove iPad.

Cable Management

The Edge Evo Wall Mount iPad stand ensures your device remains charged and ready for use without the need for a bulky case. The slim clamp design includes internal cable management that allows you to run the cable through the stand and out at the base.



Hinge Options



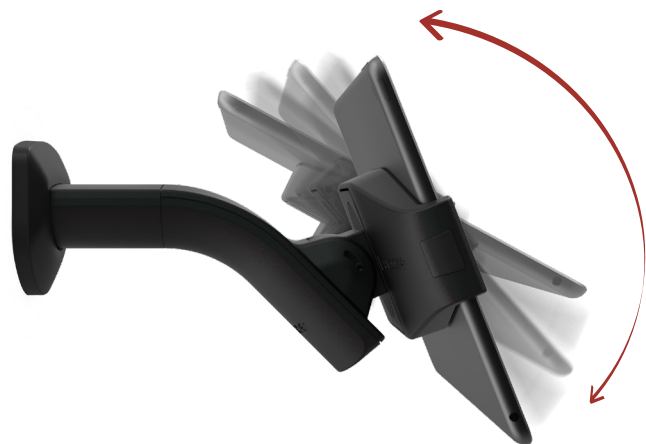
Evo Hinge

Fixed 45* angle



Evo X Hinge

Tilt and Rotation movement



40° Tilt



90° Rotation

Evo X Movement

Evo X Pole Only

The Evo X pole rotates between portrait and landscape and also features a 40-degree tilt for a functional and ergonomic design. This stand also features a position lock on both tilt and rotate movements for a fixed option.



Additional Mounting Options

The Edge Evo Wall Mount base is also desktop mountable. When mounting on a counter-top, you can either mount from above and cover screws with the base cover or alternatively screw from below for a sleek mounting option.



Recommended height for the Edge Evo Wall Mount

43.3" - 59" (110 - 150 cm)

Custom Branding Solutions

Add your logo on the Edge Evo Wall Mount with a silk-screen finish on our powder coated molded metal bases or on the front facing display.



Supported Tablets

The Edge case currently supports the following tablet models.

Supported Tablets:

iPad 10.2 7th Generation

iPad 10.2 8th Generation

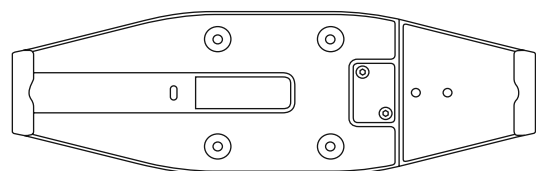
iPad 10.2 9th Generation



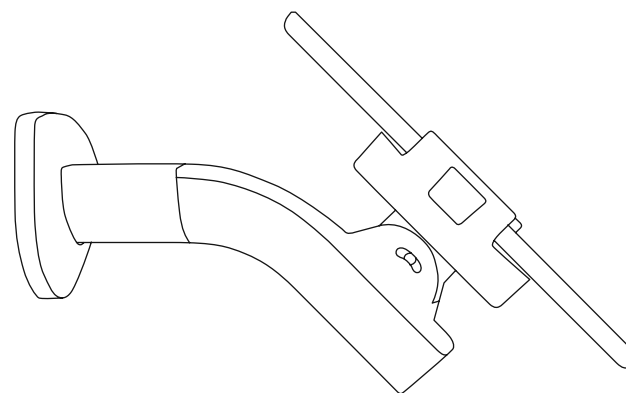
IPAD 10.2 (7TH, 8TH & 9TH GEN)

Can't find your tablet model above? Contact us to find a solution for you.

Specifications



_____ w _____



_____ d _____



w: 10.35" (263mm)

d: 9.69" (170mm)

h: 9.06" (230mm)